

# PA Range Officer Revision, Black Powder

2008  
NRC

Name		
Address		
		Postcode
Club		

### Club certification

I certify that the club member named above is:

- Active as a Black Powder Range Officer, and
- Affiliated to Pistol Australia Inc.

Print & sign

Club Secretary

Club Captain

Date: / / 2008

	On completion, return this revision paper to your State Referee Council:
ACT - ACTPA	SRC, 4 Olympus Way LYONS ACT 2606
NSW - NSWAPA	SRC, 62 Timberi St DAPTO NSW 2530
NT - PNT	SRC, PO Box 437 TENNANT CREEK NT 0860
Queensland - QAPSA	SRC, 127 Alison Rd CARRARA QLD 4211
SA - SARPA	SRC Secretary, 2 Tongan Way HAPPY VALLEY SA 5159
Tasmania - TPA	NRC, PO Box 753 BAULKHAM HILLS NSW 1755
Victoria - VAPA	SRC, Box 817 MDC MULGRAVE VIC 3170
WA - WAPA	SRC, 456 Lennard St DIANELLA WA 6059



## This revision paper has two purposes:

- To ensure that our Range Officers are using the current rules and interpretations,
- To enable PA to maintain the database of Range Officers (address, club, etc.)

## Be aware that some rules have changed

- Be aware that some rules have changed since the last printing of the rule book
- Check the information for Black Powder range officials at the website [http://www.users.bigpond.net.au/nrc\\_pa/default.htm](http://www.users.bigpond.net.au/nrc_pa/default.htm), or follow the links to the NRC from [www.pistol.org.au](http://www.pistol.org.au).
- The current printing of the rules is **January 2005 Edition**

## What you need to do:

1. Answer the questions, and include the applicable rule number,
2. Complete the section on the front page for name, address and club,
3. Have your Club Secretary or Club Captain fill the certification section,
4. Mail the completed revision paper to your State Referee Council – the addresses are on the front page.

## About the questions:

I apologise if some of the questions seem trite, but each has a purpose. There is a mixture, with:

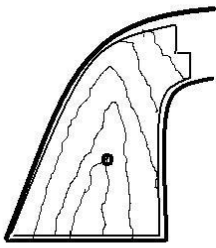
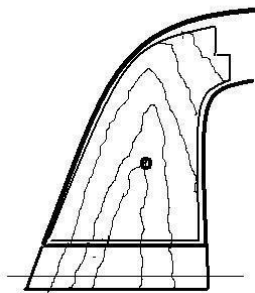
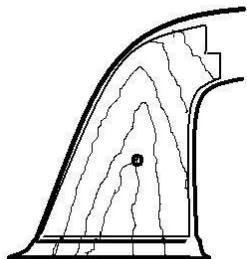
- some questions on rule changes – to ensure that you are 'current' with the Black Powder rules,
- others have been included due to reported misapplication of rules – we should all be 'playing the same game', and
- some are there to reinforce safety procedures – we must protect our shooters and our sport..

Spencer Tweedie  
NRC Director  
Pistol Australia Inc.

---

## For your information

- there has been some 'confusion' regarding rule 4.2.6, grips for the 25M event;

		
<b>Original</b> Grips do not extend beyond frame	<b>Not Allowed</b> Grips plates extend below frame by more than 15mm	<b>Not Allowed</b> Grip plates extension does not follow line of frame

- **PA Guides for Range Officers are available as downloads from the NRC web information.** Follow the link from [http://www.users.bigpond.net.au/nrc\\_pa/default.htm](http://www.users.bigpond.net.au/nrc_pa/default.htm) to the 'resources' page and then right click on the guides for Black Powder.

Safety		Rule #	
1.	May percussion caps be uncovered when the shooter is firing?	Yes/No	
2.	May percussion caps be carried in the same container as black powder?	Yes/No	
3.	Must <b>ALL</b> persons on the range wear approved eye protection?	Yes/No	
4.	May a shooter use a dipper and container of powder to load a pistol or revolver?	Yes/No	
5.	<b>50M</b> – if shooters are allocated to alternate bays, may a shooter use the ‘spare’ bay for loading and/or storing equipment?	Yes/No	
6a.	For a <b>single-action revolver</b> How long after a misfire must a shooter wait (with the revolver pointed downrange) before re-cocking?	Seconds	
6b.	What is the penalty for the first time a shooter fails to wait for the required time in question 6a? <b>Single-action revolver</b>		
6c.	What is the penalty for the second time a shooter fails to wait for the required time in question 6a? <b>single-action revolver</b>		
7.	How long after a misfire must a shooter wait before opening the action of a <b>single-shot pistol</b> ?	Seconds	
8.	How long after a misfire must a shooter wait before opening the cylinder of a <b>converted modern revolver</b> ?	Seconds	
9.	After a misfire when <b>the cap has not ignited</b> , may a shooter recap as the first option?	Yes/No	
10.	After a misfire, may a shooter recap without the permission and supervision of the Range Officer?	Yes/No	
11.	May a shooter cap an insert while the insert is in the breech or a chamber?	Yes/No	
12.	May a shooter use projectiles that are not soft lead?	Yes/No	
13.	May a shooter use ‘Pyrodex’ instead of black powder?	Yes/No	
14.	May a shooter use modern reloading powder instead of black powder?	Yes/No	
15.	Is there a limit to the amount of black powder a shooter may bring to the firing line or loading bench?	Yes/No	
16.	Must ‘NO SMOKING’ signs be displayed?	Yes/No	
17.	<b>Revolvers</b> – may wads be used in revolvers?	Yes/No	
18.	<b>Revolvers</b> – may a loaded and capped cylinder be removed without the permission of the RO?	Yes/No	
19.	<b>Revolvers</b> – must chambers be sealed with grease?	Yes/No	
20.	<b>Revolvers</b> – is it permitted to remove the safety barrier between nipples.	Yes/No	
<b>Equipment Control</b>			
21.	Must powder throwers (if used) be checked at Equipment Control?	Yes/No	
22.	Must <b>ALL</b> Black Powder pistols and revolvers pass the ‘bump test’ for safe trigger operation?	Yes/No	
23.	<b>25M</b> – what is the maximum distance allowed for the grip panels to extend under the grip frame?	mm	
24.	<b>25M</b> – what is the maximum width of the grips?	mm	
25.	<b>25M</b> – Is patterning, engraving or ‘texturising’ permitted on the back strap?	Yes/No	
26.	<b>25M</b> – are finger grooves permitted?	Yes/No	
27.	<b>50M</b> – are adjustable grips allowed for the 50M event?	Yes/No	

**Range Operation****Rule #**

28.	May caps be discharged during Preparation Time <b>before the RO gives permission?</b>	Yes/No	
29.	<b>25M Precision Stage</b> – May shooters load at benches behind the firing line for a Precision Stage series?	Yes/No	
30.	<b>25M Precision Stage</b> – How long is Preparation Time?	minutes	
31.	<b>25M Rapid Fire Stage</b> – May some shooters load at the firing line bench if others are loading at benches behind the firing line?	Yes/No	
32.	<b>25M Rapid Fire Stage</b> – How long is Preparation Time?	Minutes	
33.	<b>25M Rapid Fire Stage</b> – What is the pause between “ASSUME THE READY” and “ATTENTION”	seconds	
34.	<b>25M Rapid Fire Stage</b> – Does the RO delay the start if a shooter calls ‘NOT READY’ after the command ‘ARE YOU READY’?	Yes/No	
35.	<b>25M Rapid Fire Stage</b> – Have the range commands changed since the last printing of the rule book?	Yes/No	
36.	<b>25M Rapid Fire Stage</b> – Are the range commands for ‘loading at the firing line’ the same as for ‘using loading benches behind the line’?	Yes/No	
37.	<b>25M</b> – May wadcutter or semi-wadcutter projectiles be used for the 25M event?	Yes/No	
38.	<b>25M Rapid Fire Stage</b> – how many reshoots are allowed per series?		
39.	<b>50M</b> – May shooters load at benches behind the firing line?	Yes/No	
40.	<b>50M</b> – How long is Preparation Time?	minutes	
41.	During a competition, may a coach speak to a shooter at the firing line?	Yes/No	
42.	Are the RO Guides for 25M and 50M Black Powder events available for download from the NRC web pages?	Yes/No	

**Scoring Procedures**

43.	<b>25M Rapid Fire Stage</b> – what is the maximum length of a skid for a .36” calibre revolver?	Mm	
44.	<b>25M Rapid Fire Stage</b> – what is the maximum length of a skid for a .45” calibre revolver?	Mm	
45.	May an approved outward scoring gauge be used for the <b>Precision Stage</b> of the <b>25M</b> event?	Yes/No	